

Description

The NuVent MR Series fans offer exceptionally quiet performance in a sturdy galvanized steel housing. All MR Series models feature round grilles with curved vents for contemporary style making it an attractive option for bathroom and general ventilation applications.

Features

Grille

- Attractive round styling with curved vents.
- Textured, white polymeric.
- Mounts directly to housing with torsion springs.

Housing

- Heavy 22-gauge galvanized steel construction.
- Plastic discharge collar with backdraft damper for easy attachment to 4" diameter duct.
- Mounts with side mounting tabs.
- Top and side electrical knockouts for easy access.
- Large removable wiring compartment.

Blower

- Removable blower with easy slide-in mounting.
- Balanced polymeric, forward curved blower wheel.
- Plug in motor rated for 120 volts 60 Hz operation.

Other

- Permanently lubricated, ball bearing shaded pole motor.
- This product is approved for use over tub/shower enclosures when installed in a GFI protected branch circuit.
- Also available in MS Series with square grille.

Performance

- Air Delivery – 90 CFM @ .1" w.g. s.p.
- Sound Level - 3.5 sones
- Volts - 120
- Hertz - 60
- Amps – .55
- Watts - 47
- Duct - 4" round



The Home Ventilating Institute has tested and certified the airflow performance (CFM) and sound levels (sones) of this product.

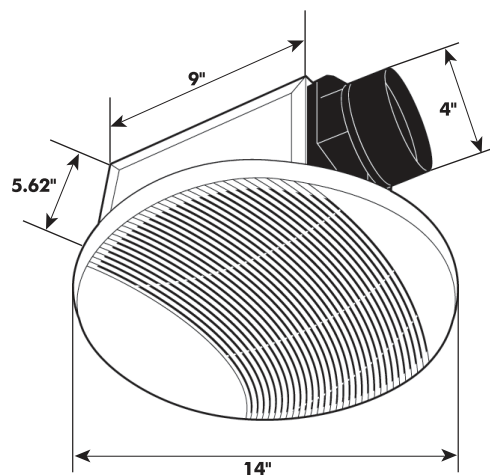
General

This product has been evaluated by Underwriters Laboratories and conforms to both UL and CSA safety standards.

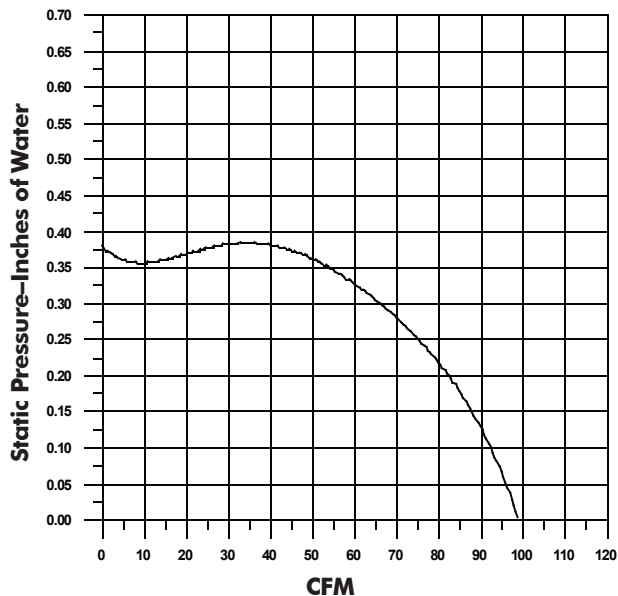


Specifications

NuVent ventilator model NXMR90. The ventilator shall be constructed with a galvanized steel housing with side tab mounting and 4" diameter discharge collar. The blower unit shall be removable with a permanently lubricated, ball bearing, plug-in motor. Air delivery and sound levels shall be certified by HVI at the levels listed for this model. All units shall be UL listed.



NuVent Product Performance
Model NXMR90



SPECIFICATION			PROJECT:
Reference	Quantity	Comments	Location:
			Architect:
			Engineer:
			Contractor:
			Submitted by:
			Date: